

BATTERY DIGITAL

Bolting meets Industry 4.0 - with the TQX series, the **JUWEL** brand is taking off digitally. With torques of up to 10,000 Nm, bolting operations can now be documented and evaluated sustainably.

With the TQX series we use two different digital drives: Up to 900 Nm we use a 20V drive - weight-optimised and light in the hand, the torque wrenches up to 900 Nm are ideal for daily assembly work. Above this torque value, we use a 40V drive: The flange adapted to the powerful gearboxes, the possibility to attach to a balancer and the usual **JUWEL** quality of gearbox technology make the TQX a high-end product around bolting. The functions are versatile: In addition to the use of the digital torque wrench, it is also possible to connect a central storage unit. In this way, the data of several TQX units can be stored.

TECHNOLOGY

- Torques from 50 to 10,000 Nm
- Extreme measuring accuracy by means of strain gauges
- Digital display for setting the torque/angle of rotation and programme selection
- Documentation of up to 1,200 bolting data (First-In-First-Out)
- Data transmission via Wi-Fi, Bluetooth or USB cable (optional with central control unit)
- App for Android/iOS devices and software for PC/laptop
- Up to 8 fixed programme steps (P1-P8) manually configurable
- Password protection adjustable
- Brushless motor



More info about this product

Tel. +49 2742 96 8 96 0
Fax +49 2742 96 8 96 22

info@juwel-schraubtechnik.de
www.juwel-schraubtechnik.de

Werkstraße 14
57537, Wissen, Germany

TQX 20V - FOR 900 Nm



Easy to use and versatile in its possibilities: the TQX is a true all-rounder when it comes to digital and documented bolting. You can bolt up to 900 Nm with the 20V version of the TQX. A low weight with the same technical possibilities meets the demand for assembly tools with low torques in terms of handling and functions. With the targeted use of aluminium components, additional weight is saved on power wrenches up to 900 Nm. Like the TQS, the TQX is available in straight, angled and multi versions.

Inquire now: sales@juwel-schraubtechnik.de

TQX 40V - FOR 10.000 Nm

Beyond 900 Nm, the 40V version of the TQX drive is used. The pre-equipment for attachment to a balancer and the robustly designed flange ensure safe handling even at high torques.

Thanks to the latest battery technology, you can screw up to 10,000 Nm smoothly and steadily. You can rely on the gear technology without the slightest worry: The planetary gear, which is also used in the other **JUWEL** devices, rounds off the TQX as a high-quality digital power wrench. We would be happy to offer you training on the functions of the TQX as part of a personal delivery.



TECHNICAL FEATURES



DOCUMENTATION OF SCREW DATA

Up to 1,200 bolting data are stored in the unit according to the first-in-first-out principle. The data can then be transferred to a smartphone, PC or storage unit.



TIGHTENING TORQUE

Do you have a target torque? With the TQX you can achieve the targeted torque quickly and accurately. Thanks to the highly accurate strain gauge, the tightening process meets the highest standards.



TIGHTEN ANGLE OF TWIST

In addition to tightening to torque, it is also possible to set a desired angle of rotation (alone or in combination with a required torque).



CUSTOMISED SCREW PROGRAMMES

Up to 8 tightening programmes can be set: e.g. 1,200 Nm and then 20°. The TQX carries out the instructions automatically. Switch conveniently between the programmes on the unit.



PROGRAMMIERUNG VIA SMARTPHONE

Whether Android or iOS smartphone: On the road, you can set up the TQX quickly and intuitively via smartphone. The connection is established via Bluetooth or USB cable.



PROGRAMMING VIA COMPUTER

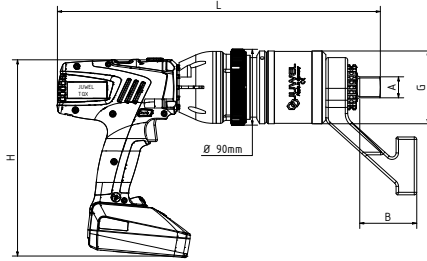
We provide you with the software included with the drive free of charge. You can discover even more features of the TQX series on the computer: Change speeds or threshold torques, for example. We would be happy to train you!



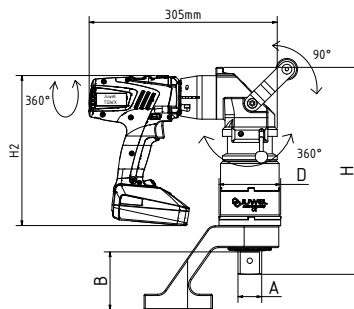
INTERACTION WITH USER

The TQX takes the worry out of successful bolting: If the light is green, everything is OK. If the bolting is aborted or the final torque is outside the tolerance range you have set, the signal lights up yellow and you bolt again.





Models	TQX-060	TQX-090	TQX-130	TQX-220	TQX-300	TQX-400	TQX-500	TQX-600	TQX-1000
Square drive A	1"	3/4" o. 1"	1"	1 1/2"	1 1/2"	1 1/2"	1 1/2"	1 1/2"	1 1/2"
Item number	64 000 060	64 000 090	64 000 130	64 000 220	64 000 300	64 400 000	64 500 000	64 600 000	On request
Torque (Nm)	50 - 600	50 - 900	100 - 1.300	100 - 2.200	100 - 3.000	150 - 4.000	250 - 5.000	350 - 6.000	
Speed (r/min)	10	8	16	6,5	4,5	3,8	2	3,3	
Weight reaction arm (kg)	1,6	1,6	1,6	3,5	3,5	5,5	5,5	5,5	
Weight (kg)	4,25	6,3	9,1	10,8	10,8	12,6	14,1	17,6	
Length H (mm)	370	390	415	455	455	470	510	490	
Width B (mm)	55	55/75	75	75	75	95	95	115	
Ø Dear (mm)	75	75	88	88	88	99	99	135	
Ø Locking (mm)	90	90	90	90	90	90	90	90	



Models	TQWX-060	TQWX-090	TQWX-130	TQWX-220	TQWX-300	TQWX-400	TQWX-500	TQWX-600	TQWX-1000
Square drive A	1"	3/4" o. 1"	1"	1 1/2"	1 1/2"	1 1/2"	1 1/2"	1 1/2"	1 1/2"
Item number	64 100 060	64 100 090	64 100 130	64 100 220	64 100 300	64 100 400	64 100 500	64 100 600	On request
Torque (Nm)	50 - 600	50 - 900	100 - 1.300	100 - 2.200	100 - 3.000	150 - 4.000	250 - 5.000	350 - 6.000	
Speed (r/min)	10	8	16	6,5	4,5	3,8	2	3,3	
Weight reaction arm (kg)	1,6	1,6	1,6	3,5	3,5	5,5	5,5	5,5	
Weight (kg)	5,5	8,1	9,1	10,8	10,8	12,6	14,1	17,6	
Length H (mm)	264	283 - 288	275	307	307	320	365	355	
Width B (mm)	55	55/75	75	75	75	95	95	115	
Ø Gear D (mm)	75	75	88	88	88	99	99	135	
Ø Locking (mm)	90	90	90	90	90	90	90	90	

CONTACT

Do you have questions about bolting? Do you need a torque wrench or accessories? Contact us - we will be happy to advise you and carry out a free demonstration at your premises.



Ernst Berger & Söhne **JUWEL** - Schraubtechnik GmbH

Werkstraße 14 | 57537 Wissen - DE
info@juwel-schraubtechnik.de | +49 2742 96 8 96 - 0