



Visit us online:
www.juwel-schraubtechnik.de/en

All information about our products
 and services!

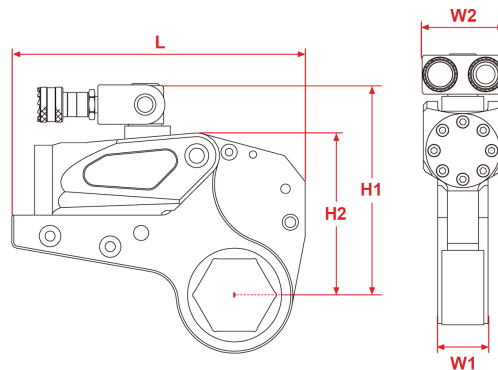
JUWEL KS-Series

Hydraulic Torque Wrench

- Constant repeatability of +/- 3%
- Torques from 230 to 44,500 Nm
- Cassettes available in sizes from 19 to 175 mm
- Can be used with square and hexagonal drives
- Ideal for heavy duty applications
- Simple drive assembly
- Everything from a single source: pumps, hoses and reducers available



Technical Data



Typ/Type	KS-23	KS-24	KS-58	KS-64	KS-109	KS-117	KS-185	KS-418	KS-445
Drehmoment/Torque (Nm)	230-2.300	240-2.400	585-5.850	645-6.475	1.095-10.940	1.175-11.775	1.850-18.500	4.180-41.800	4.450-44.500
Gewicht Gehäuse/Weight piston (kg)	1	1	2	2	3,3	3,3	5,5	11,4	11,4
Gewicht Kassette/Weight cassette (kg)	1,6	1,7	4,4	4,6	8,0	8,4	11,6	29	30
H1 (mm)	126	128,5	177	187	207	216	239	303	315
H2 (mm)	102,5	105	138	146	169	178	204	272	285
L (mm)	196	196	245	246	300	301	361	430	441
Sechskant/Hexagon (mm)	19-55	60	34-65	70-80	41-95	100-105	50-117	85-155	160-175
W1 (mm)	32	32	42	42	53	53	64	85	85
W2 (mm)	51	51	66	66	83	83	99	131	131